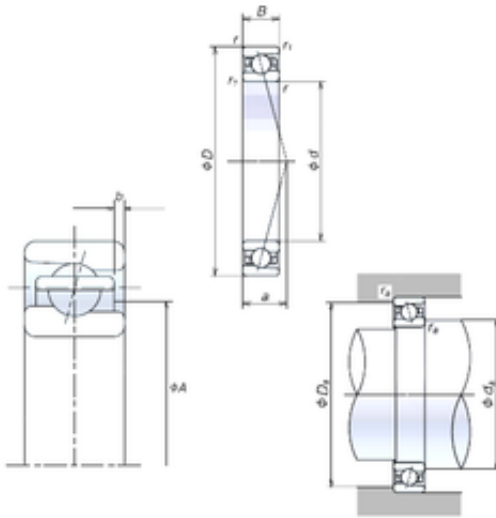




## Stainless steel bearing equipment Co....



90BNR19X Bearing 2D drawings and 3D CAD models

90 mm x 125 mm x 18 mm NSK 90BNR19X  
angular contact ball bearings

Bearing No. 90BNR19X

Size	90x125x18 mm
Bore Diameter	90 mm
Outer Diameter	125 mm
Width	18 mm
d	90 mm
D	125 mm
B	18 mm
C	18 mm
Angle ( ° )	18 °
a	26,5 mm
b	0,7 mm
r min.	1,1 mm
r1 min.	0,6 mm
A	102 mm
da min.	97 mm
Da max.	118 mm
ra max.	1 mm
Weight	0,48 Kg
Basic dynamic load rating (C)	31,5 kN
Basic static load rating (C0)	29,7 kN
(Grease) Lubrication Speed	19600 r/min