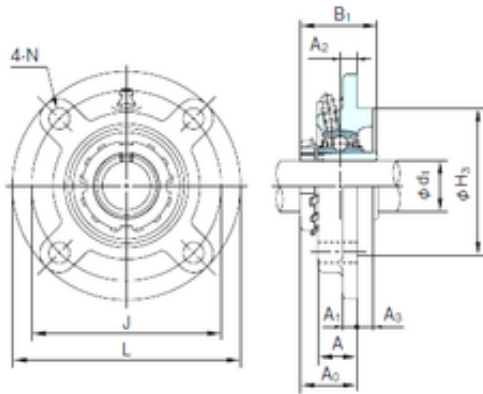




Stainless steel bearing equipment Co....

NACHI UKFCX16+H2316 bearing units



Bearing No. UKFCX16+H2316

Bore Diameter	70 mm
d1	70 mm
H3	186 mm
A0	50 mm
A	36 mm
A1	19 mm
B1	78 mm
J	219 mm
L	260 mm
N	23 mm
Bolt (G)	M20
A2	10 mm
A3	25 mm

UKFCX16+H2316 Bearing 2D drawings and 3D CAD models