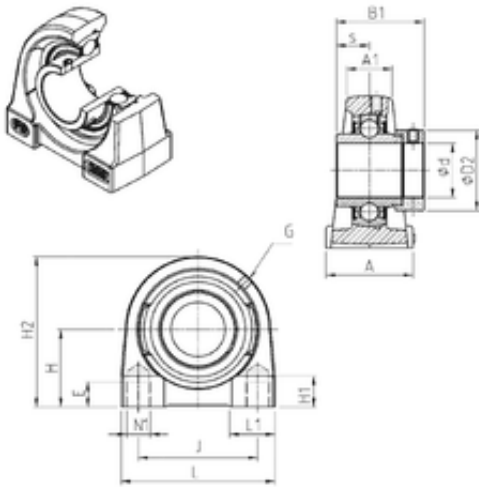




Stainless steel bearing equipment Co....



SNR EXPG202 bearing units

Bearing No. EXPG202

| | |
|-------------------------------|---------|
| Bore Diameter | 15 mm |
| d | 15 mm |
| s | 17 mm |
| A | 38 mm |
| A1 | 20 mm |
| B1 | 43,5 mm |
| D2 | 33,3 mm |
| E | 16 mm |
| H | 33,3 mm |
| H1 | 14 mm |
| H2 | 64 mm |
| J | 49 mm |
| L | 70 mm |
| L1 | 21 mm |
| Thread (G) | M6x1 |
| Thread (N1) | M8 |
| Weight | 0,7 Kg |
| Basic dynamic load rating (C) | 12,8 kN |

EXPG202 Bearing 2D drawings and 3D CAD models