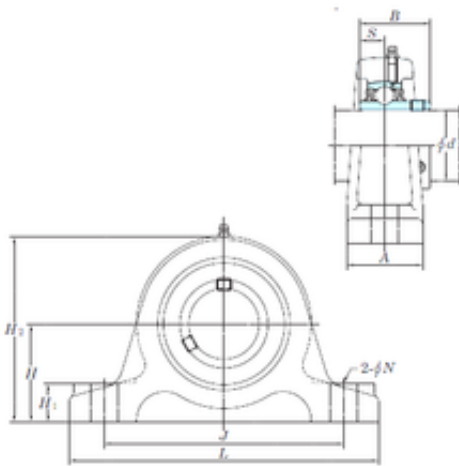




Stainless steel bearing equipment Co....



UCIP314 Bearing 2D drawings and 3D CAD models

KOYO UCIP314 bearing units

Bearing No. UCIP314

Bore Diameter	70 mm
Width	78 mm
d	70 mm
A	75 mm
B	78 mm
H	110 mm
H1	35 mm
H2	215 mm
J	270 mm
L	330 mm
N	25 mm
S	33 mm
Bolt (G)	M22
Weight	15,3 Kg
Basic dynamic load rating (C)	104 kN
Basic static load rating (C0)	68,2 kN
Bearing No.	UCIP314
Bolt size	M22
Cr	104
C0r	68.2
f0	13.2
(Refer.) Unit mass(kg)	15.3
Nipple size	R1/8