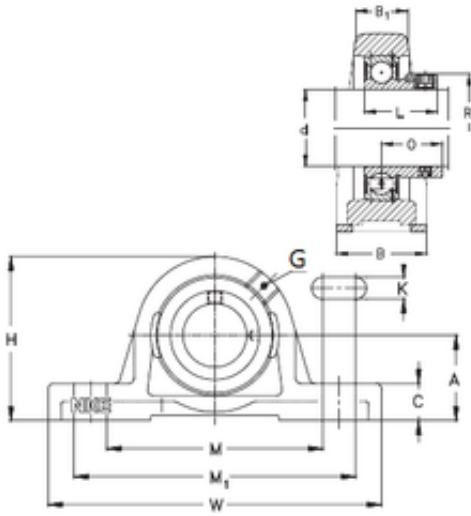




Stainless steel bearing equipment Co....



NKE RASE70 bearing units

Bearing No. RASE70

Bore Diameter	70 mm
Width	65 mm
d	70 mm
O	44,6 mm
A	79,4 mm
B	65 mm
B1	44 mm
C	27,5 mm
H	156 mm
K	22 mm
L	66,1 mm
M	196,5 mm
M1	208,5 mm
R	96 mm
W	260 mm
Thread (G)	R1/8 "

RASE70 Bearing 2D drawings and 3D CAD models