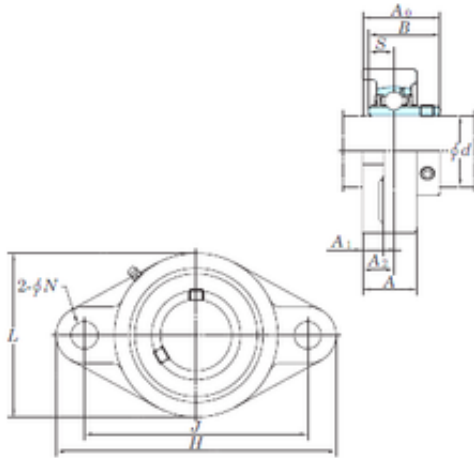




Stainless steel bearing equipment Co....



KOYO UCFL216-50E bearing units

Bearing No. UCFL216-50E

| | |
|-------------------------------|-----------|
| Bore Diameter | 79,375 mm |
| d | 79,375 mm |
| A0 | 83,3 mm |
| A | 58 mm |
| A1 | 20 mm |
| B | 82,6 mm |
| H | 290 mm |
| J | 233 mm |
| L | 180 mm |
| N | 19 mm |
| S | 33,3 mm |
| A2 | 34 mm |
| Weight | 7,8 Kg |
| Basic dynamic load rating (C) | 72,7 kN |
| Basic static load rating (C0) | 53 kN |

UCFL216-50E Bearing 2D drawings and 3D CAD models