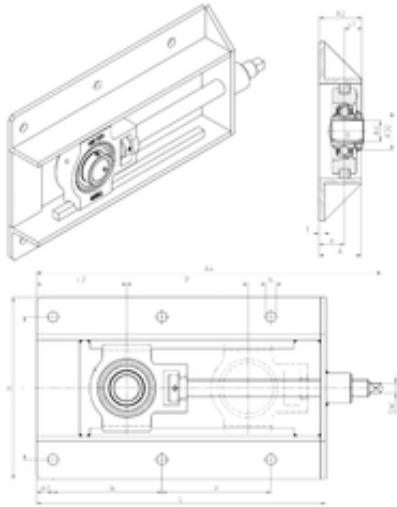




Stainless steel bearing equipment Co....



UKT212H+WB Bearing 2D drawings and 3D CAD models

SNR UKT212H+WB bearing units

Bearing No. UKT212H+WB

Bore Diameter	55 mm
d	55 mm
A4	651 mm
P	300 mm
e	38 mm
L2	127 mm
s1	31 mm
SW	19 mm
A	65 mm
B	62 mm
D2	80 mm
H	301 mm
J	240 mm
L	568 mm
M	243 mm
M1	22 mm
N	15 mm
T	6 mm
A2	69 mm
Weight	20,2 Kg
Basic dynamic load rating (C)	52,5 kN
A1	22 mm
A5	31 mm
B1	62 mm
d1	80 mm
G	M6x1



Stainless steel bearing equipment Co....

H1	130 mm
H2	102 mm
L1	119 mm
L3	102 mm
N1	32 mm
N2	64 mm
C	52.5 kN
C0	32.8 kN
T min.	-20 ° C
T max.	100 ° C
Adapter sleeve reference	H2312
Designation of housing	T212-
Designation of bearing	UK212G2H