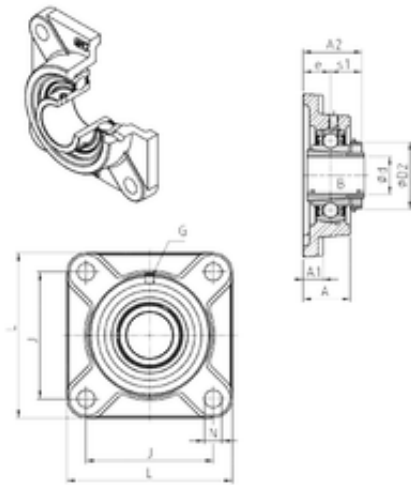




Stainless steel bearing equipment Co....



SNR UKF305H bearing units

Bearing No. UKF305H

Bore Diameter	20 mm
d	20 mm
e	16 mm
s1	21,5 mm
A	29 mm
A1	13 mm
B	35 mm
D2	38 mm
J	80 mm
L	108 mm
N	16 mm
Thread (G)	M6x1
A2	37,5 mm
Weight	1,2 Kg
Basic dynamic load rating (C)	22,36 kN

UKF305H Bearing 2D drawings and 3D CAD models