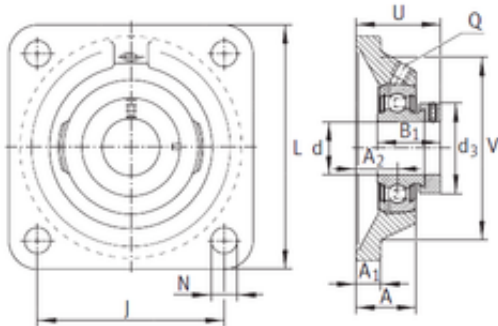




Stainless steel bearing equipment Co....

INA PCJ35-N bearing units



PCJ35-N Bearing 2D drawings and 3D CAD models

Bearing No. PCJ35-N

Bore Diameter	35 mm
d	35 mm
V	100 mm
U	50,5 mm
Thread (Q)	Rp1/8
d3	51 mm
A	30,5 mm
A1	12,5 mm
B1	39 mm
J	92 mm
L	118 mm
N	14 mm
A2	21 mm
Weight	1,46 Kg
Basic dynamic load rating (C)	25,5 kN
Category	Flange Block Bearings
Inventory	0.0
Manufacturer Name	SCHAEFFLER GROUP
Minimum Buy Quantity	N/A
Weight / Kilogram	0
EAN	4012802096729
Product Group	M06110
Number of Mounting Holes	4
Mounting Method	Eccentric Collar
Housing Style	4 Bolt Square Flange Block
Rolling Element	Ball Bearing



Stainless steel bearing equipment Co....

Housing Material	Cast Iron
Expansion / Non-expansion	Non-expansion
Mounting Bolts	14 Millimeter
Relubricatable	Yes
Insert Part Number	GRAE35NPPB
Seals	Double Lip Contact
Housing Configuration	1 Piece Solid
Pilot Configuration	No Pilot
Inch - Metric	Metric
Long Description	4 Bolt Square Flange Block; 35MM Bore; 130MM Bolt Circle; 92MM Bolt Spacing; 1 Piece Solid; Eccentric Collar Mount; Cast Iron; Ball Bearing; 38.9MM Length Thru Bore; Relubricatable; Double Lip Contact
Other Features	Single Row With Set Screw
Category	Flange Block
UNSPSC	31171501
Harmonized Tariff Code	8483.20.40.40
Noun	Bearing
Keyword String	Flanged
Manufacturer URL	http://www.ina.com
Manufacturer Item Number	PCJ35N
Weight / LBS	3.528
Bore	1.378 Inch 35 Millimeter
Cartridge Pilot Depth	0 Inch 0 Millimeter
Length Thru Bore	1.531 Inch 38.9 Millimeter
Bolt Spacing	3.622 Inch 92 Millimeter
Cartridge Pilot Diameter	0 Inch 0 Millimeter
Nominal Bolt Circle Diameter Round	5.1 Inch 130 Millimeter