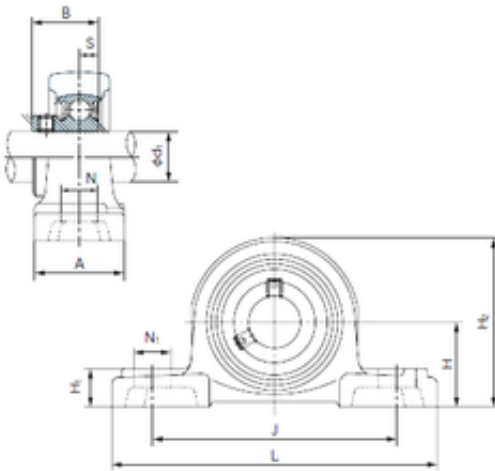




Stainless steel bearing equipment Co....

NACHI BP206 bearing units

Bearing No. BP206



BP206 Bearing 2D drawings and 3D CAD models

Bore Diameter	30 mm
Width	30.3 mm
d	30 mm
A	48 mm
B	30.3 mm
H	42.9 mm
H1	18 mm
H2	83 mm
J	121 mm
L	165 mm
N	17 mm
N1	21 mm