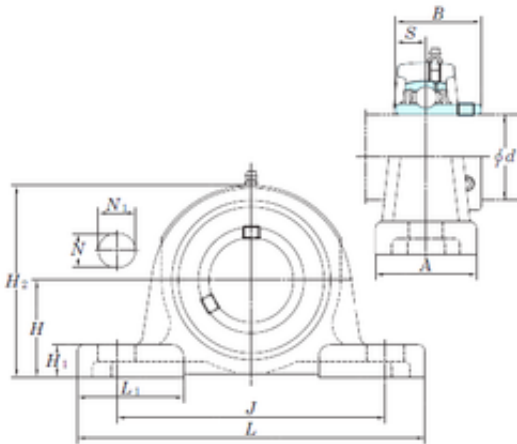




Stainless steel bearing equipment Co....



UCP311 Bearing 2D drawings and 3D CAD models

KOYO UCP311 bearing units

Bearing No. UCP311

Bore Diameter	55 mm
Width	66 mm
d	55 mm
A	80 mm
B	66 mm
H	80 mm
H1	27 mm
H2	158 mm
J	236 mm
L	310 mm
L1	90 mm
N	20 mm
N1	38 mm
S	25 mm
Bolt (G)	M16
Weight	7,9 Kg
Basic dynamic load rating (C)	71,6 kN
Basic static load rating (C0)	45 kN
Bearing No.	UCP311
Bolt size	M16
Cr	71.6
C0r	45.0
f0	13.2
(Refer.)Unit mass(kg)	7.9
Nipple size	R1/8