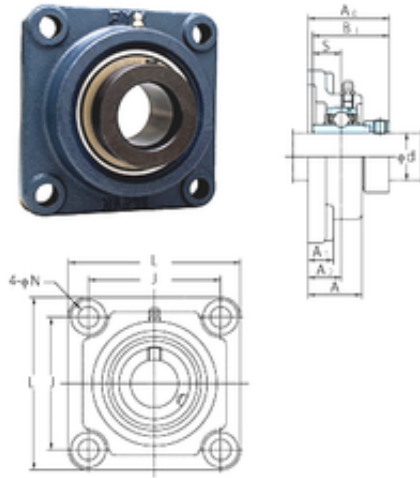




Stainless steel bearing equipment Co....



NANF210 Bearing 2D drawings and 3D CAD models

FYH NANF210 bearing units

Bearing No. NANF210

Bore Diameter	50 mm
d	50 mm
A0	66,6 mm
A	46,5 mm
A1	20 mm
B1	62,7 mm
J	111 mm
L	143 mm
N	16 mm
S	24,6 mm
Bolt (G)	14,288
A2	28,5 mm
Weight	3 Kg
Basic dynamic load rating (C)	35,1 kN
Basic static load rating (C0)	23,3 kN
Category	Mounted Units & Inserts
Inventory	0.0
Manufacturer Name	FYH BEARING UNITS
Minimum Buy Quantity	N/A
Weight / Kilogram	0
Product Group	M06110