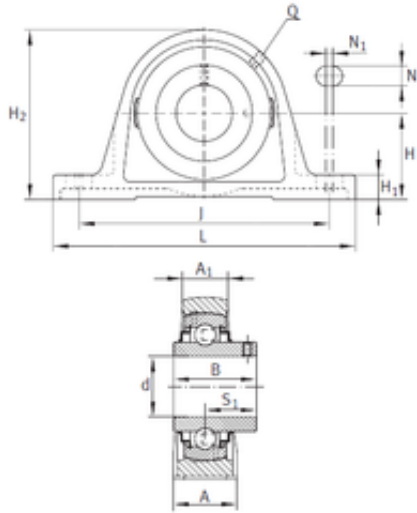




Stainless steel bearing equipment Co....



RASEY2-15/16 Bearing 2D drawings and 3D CAD models

INA RASEY2-15/16 bearing units

Bearing No. RASEY2-15/16

Bore Diameter	74,613 mm
d	74,613 mm
S1	44,501 mm
Thread (Q)	1/8 NPT
A	70,003 mm
A1	50,013 mm
B	77,801 mm
H	82,5 mm
H1	29,007 mm
H2	164 mm
J	210,998 mm
L	273 mm
N	24,003 mm
N1	7,011 mm
Category	Bearings
Inventory	0.0
Manufacturer Name	SCHAEFFLER GROUP
Minimum Buy Quantity	N/A
Weight / Kilogram	0
Product Group	M06110