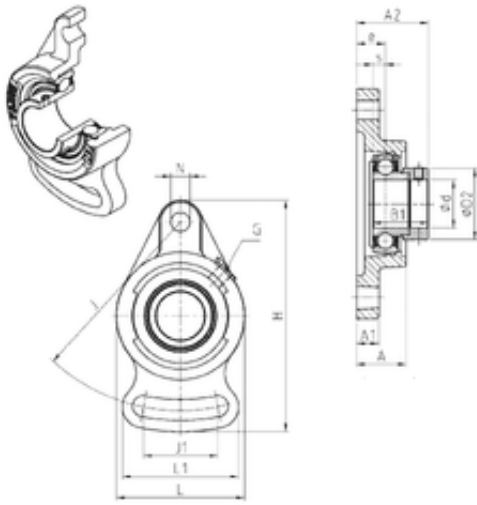




Stainless steel bearing equipment Co....



SNR ESFA201 bearing units

Bearing No. ESFA201

Bore Diameter	12 mm
d	12 mm
e	13 mm
s	6,5 mm
A	22 mm
A1	9 mm
B1	28,6 mm
D2	28,6 mm
H	95 mm
J	75 mm
L	57 mm
L1	47 mm
N	10 mm
Thread (G)	M6x1
A2	35,1 mm
J1	37 mm
Weight	0,5 Kg
Basic dynamic load rating (C)	9,55 kN

ESFA201 Bearing 2D drawings and 3D CAD models