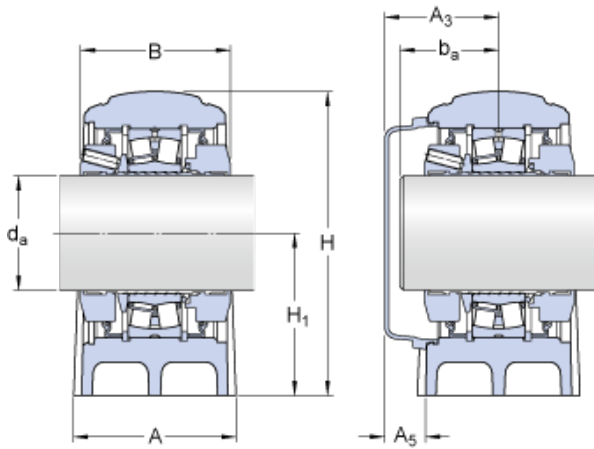




Stainless steel bearing equipment Co....



SKF SYNT 55 FW bearing units

Bearing No. SYNT 55 FW

| | |
|----------------------------------|-------------|
| Size | 55x70x65 mm |
| Bore Diameter | 55 mm |
| Outer Diameter | 70 mm |
| Width | 65 mm |
| d_a | 55 mm |
| A | 70 mm |
| B | 65 mm |
| H | 137 mm |
| H_1 | 70 mm |
| H_2 | 30 mm |
| J | 210 mm |
| L | 255 mm |
| H | 24 mm |
| N_1 | 18 mm |
| J_6 | 234 mm |
| J_7 | 26 mm |
| N_4 - max. | 8 mm |
| A_3 | 66 mm |
| A_5 | 34 mm |
| b_a - min. | 34 mm |
| b_a - max. | 55 mm |
| Basic dynamic load rating - C | 125 kN |
| Basic static load rating - C_0 | 137 kN |
| Fatigue load limit - P_u | 13.7 kN |

SYNT 55 FW Bearing 2D drawings and 3D CAD models



Stainless steel bearing equipment Co....

| | |
|----------------------------|------------|
| Limiting speed | 3100 r/min |
| Calculation factor - e | 0.24 |
| Calculation factor - Y_1 | 2.8 |
| Calculation factor - Y_2 | 4.2 |
| Diameter - d_m | 77.5 mm |
| Basic Designation bearing | 22211 E |
| P_a | 15 kN |
| P_{0° | 210 kN |
| P_{55° | 350 kN |
| P_{90° | 210 kN |
| P_{120° | 140 kN |
| P_{150° | 120 kN |
| P_{180° | 150 kN |
| Mass bearing unit | 6 kg |
| Category | Bearings |
| Inventory | 0.0 |
| Manufacturer Name | SKF |
| Minimum Buy Quantity | N/A |
| Weight / Kilogram | 0 |
| Product Group | M06110 |
| d_a | 55 mm |
| H_1 | 70 mm |
| H_2 | 30 mm |
| N | 24 mm |
| N_1 | 18 mm |
| A_3 | 66 mm |
| A_5 | 34 mm |
| b_a min. | 34 mm |
| b_a max. | 55 mm |
| J_6 | 234 mm |
| J_7 | 26 mm |



Stainless steel bearing equipment Co....

| | |
|--|-----------|
| N_4 max. | 8 mm |
| Basic dynamic load rating C | 125 kN |
| Basic static load rating C_0 | 137 kN |
| Fatigue load limit P_u | 13.7 kN |
| Calculation factor e | 0.24 |
| Calculation factor Y_1 | 2.8 |
| Calculation factor Y_2 | 4.2 |
| Bearing mean diameter d_m | 77.5 mm |
| P_{0° | 210 kN |
| P_{55° | 350 kN |
| P_{90° | 210 kN |
| P_{120° | 140 kN |
| P_{150° | 120 kN |
| P_{180° | 150 kN |
| P_a | 15 kN |
| Attachment bolt diameter G | 16 mm |
| Tightening torque for attachment bolts | 200 N · m |
| Grub screws | 3 x M 6 |
| Tightening torque for grub screws | 8 N · m |