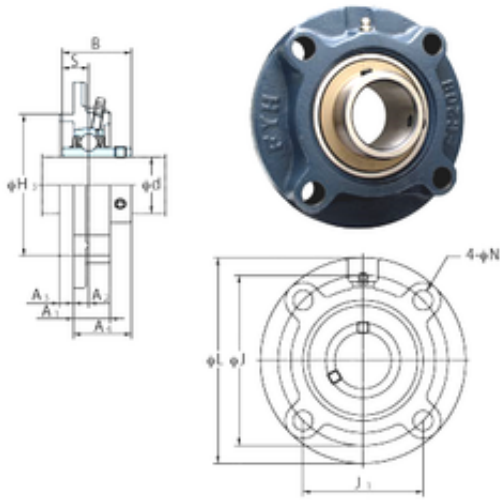




Stainless steel bearing equipment Co....



FYH UCFCX14-44E bearing units

Bearing No. UCFCX14-44E

| | |
|-------------------------------|------------|
| Bore Diameter | 69,85 mm |
| d | 69,85 mm |
| H3 | 161,925 mm |
| A4 | 58,5 mm |
| A1 | 36 mm |
| B | 77,8 mm |
| J | 190 mm |
| L | 222 mm |
| N | 19 mm |
| S | 33,3 mm |
| Bolt (G) | M16 |
| A2 | 14 mm |
| A3 | 20 mm |
| J1 | 134,3 mm |
| Weight | 7,3 Kg |
| Basic dynamic load rating (C) | 67,4 kN |
| Basic static load rating (C0) | 48,3 kN |

UCFCX14-44E Bearing 2D drawings and 3D CAD models