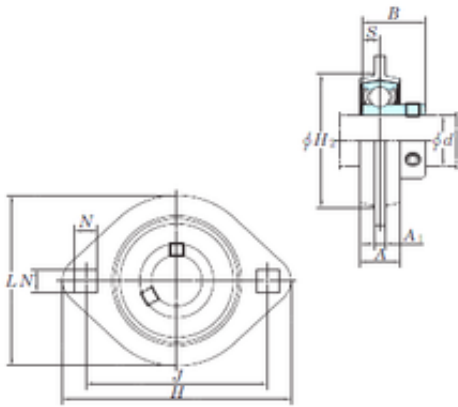




## Stainless steel bearing equipment Co....



### KOYO SBPFL204 bearing units

Bearing No. SBPFL204

Bore Diameter	20 mm
Width	25 mm
d	20 mm
A	16 mm
A1	4 mm
B	25 mm
H	90 mm
H2	55 mm
J	71,5 mm
L	67 mm
N	9 mm
S	7 mm
Bolt (G)	M8
Weight	0,24 Kg
Basic dynamic load rating (C)	12,8 kN
Basic static load rating (C0)	6,65 kN
Bearing No.	SBPFL204
Bolt size	M8
Cr	12.8
C0r	6.65
f0	13.2
H1	-
(Refer.)Unit mass(kg)	0.24

SBPFL204 Bearing 2D drawings and 3D CAD models