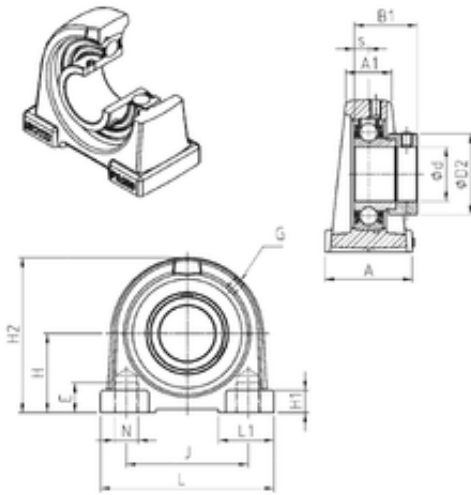




## Stainless steel bearing equipment Co....



ESPA212 Bearing 2D drawings and 3D CAD models

### SNR ESPA212 bearing units

Bearing No. ESPA212

Bore Diameter	60 mm
d	60 mm
s	12 mm
A	68 mm
A1	36 mm
B1	49,3 mm
D2	84,2 mm
E	25 mm
H	69,9 mm
H1	15 mm
H2	138 mm
J	114 mm
L	150 mm
L1	52 mm
Thread (G)	M6x1
Thread (N1)	M16
Weight	3,8 Kg
Basic dynamic load rating (C)	52,5 kN