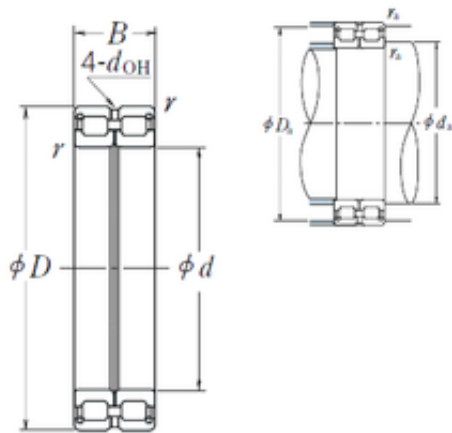




Stainless steel bearing equipment Co....



360 mm x 440 mm x 80 mm NSK RS-4872E4
cylindrical roller bearings

Bearing No. RS-4872E4

RS-4872E4 Bearing 2D drawings and 3D CAD models

Size	360x440x80 mm
Bore Diameter	360 mm
Outer Diameter	440 mm
Width	80 mm
d	360 mm
D	440 mm
B	80 mm
C	80 mm
r min.	2,1 mm
da min.	371 mm
Da max.	429 mm
ra max.	2 mm
Weight	27 Kg
Basic dynamic load rating (C)	885 kN
Basic static load rating (C0)	2580 kN
(Grease) Lubrication Speed	260 r/min
hidYobi	RS-4872E4
LangID	1
D_	440
B_	80
hidTable	ecat_NSCLDRS
Oil rpm	260
mass	27
GRS rpm	530
ra	2



Stainless steel bearing equipment Co....

da_min	371
C0	2580
DE_	420.4
Prod_Type3	CRB_FRFS_OT_FIX
DA_	18
Z_	70
yobi	RS-4872E4
da_max	429
SDM_	402.4
r	2.1
KBRG	4220
disp	5
DI_	384.4
doh	6