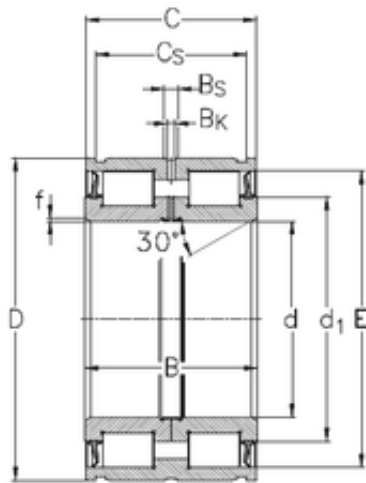




Stainless steel bearing equipment Co....



80 mm x 125 mm x 60 mm NKE NNF5016-2LS-V cylindrical roller bearings

Bearing No. NNF5016-2LS-V

Size	80x113.5x60 mm
Bore Diameter	80 mm
Outer Diameter	113,5 mm
Width	60 mm
d	80 mm
D	125 mm
E	113,5 mm
B	60 mm
C	59 mm
b	4,2 mm
b1	2,4 mm
d1	97 mm
f	1,5 mm
r3 min.	0,6 mm
r4 min.	0,6 mm
D1	122,1 mm
Weight	2,7 Kg
Basic dynamic load rating (C)	237 kN
Basic static load rating (C0)	423 kN

NNF5016-2LS-V Bearing 2D drawings and 3D CAD models