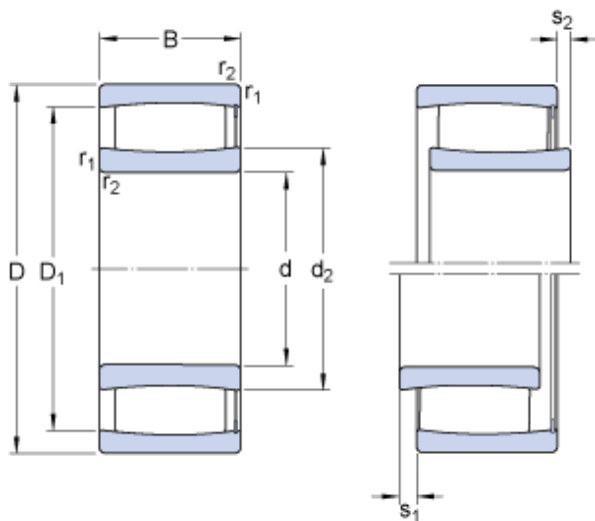




Stainless steel bearing equipment Co....



60 mm x 85 mm x 25 mm SKF C 4912 V cylindrical roller bearings

Bearing No. C 4912 V

C 4912 V Bearing 2D drawings and 3D CAD models

Size	85x60x25 mm
Bore Diameter	85 mm
Outer Diameter	60 mm
Width	25 mm
d	60 mm
D	85 mm
B	25 mm
d ₂	68 mm
D ₁	78.2 mm
s ₁	5.5 mm
s ₂	2.3 mm
r _{1,2} - min.	1 mm
d _a - min.	64.6 mm
d _a - max.	72 mm
D _a - max.	80.4 mm
r _a - max.	1 mm
Basic dynamic load rating - C	95 kN
Basic static load rating - C ₀	141 kN
Fatigue load limit - P _u	14.2 kN
Limiting speed	3000 r/min
Factor - k ₁	0.107
Factor - k ₂	0.108