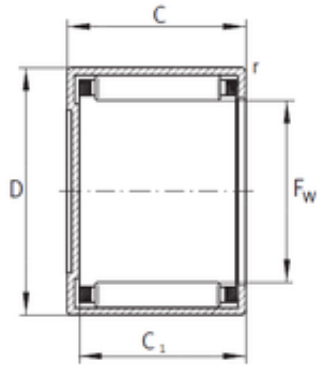




Stainless steel bearing equipment Co....

INA BCE208 needle roller bearings



Bearing No. BCE208

Size	31.75x38.1x12.7 mm
Bore Diameter	31,75 mm
Outer Diameter	38,1 mm
Width	12,7 mm
Fw	31,75 mm
D	38,1 mm
C	12,7 mm
Weight	0,022 Kg
Basic dynamic load rating (C)	13,5 kN
Basic static load rating (C0)	22,2 kN

BCE208 Bearing 2D drawings and 3D CAD models