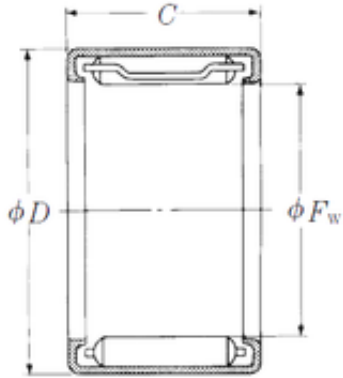




Stainless steel bearing equipment Co....

NSK FJL-1212L needle roller bearings



Bearing No. FJL-1212L

Size	12x19x12 mm
Bore Diameter	12 mm
Outer Diameter	19 mm
Width	12 mm
Fw	12 mm
D	19 mm
C	12 mm
Weight	0,0098 Kg
Basic dynamic load rating (C)	6,65 kN

FJL-1212L Bearing 2D drawings and 3D CAD models